

ELSTON

Gopher
Getters



Parts List for GA-800

Please Contact Us for Parts and Service:

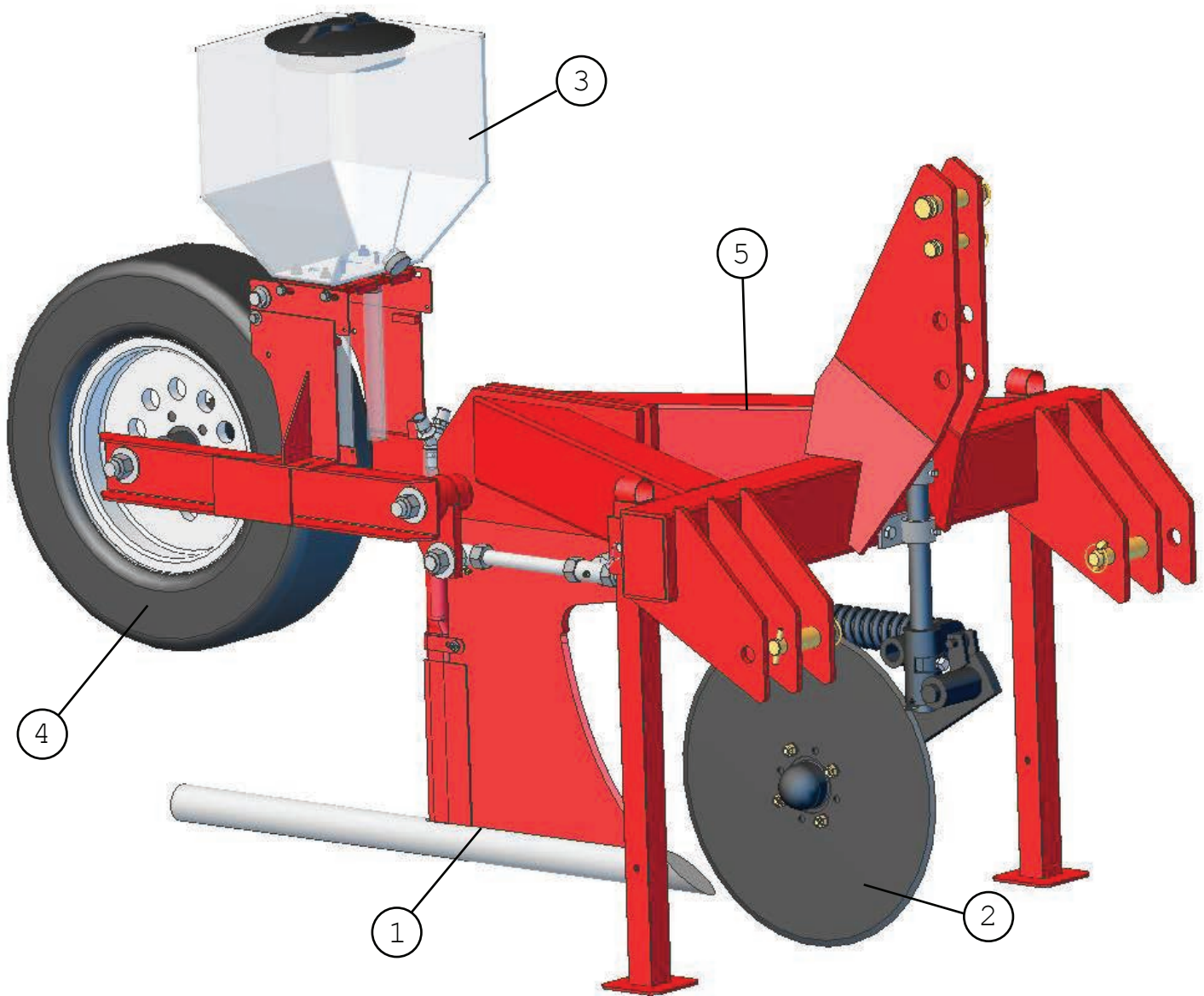
Another Quality Product of:



ELSTON MANUFACTURING INC.

**706 N Weber
Sioux Falls, SD 57103
www.elstonmfg.com
1-800-845-1385**

**Revision B
Updated 2-2016**

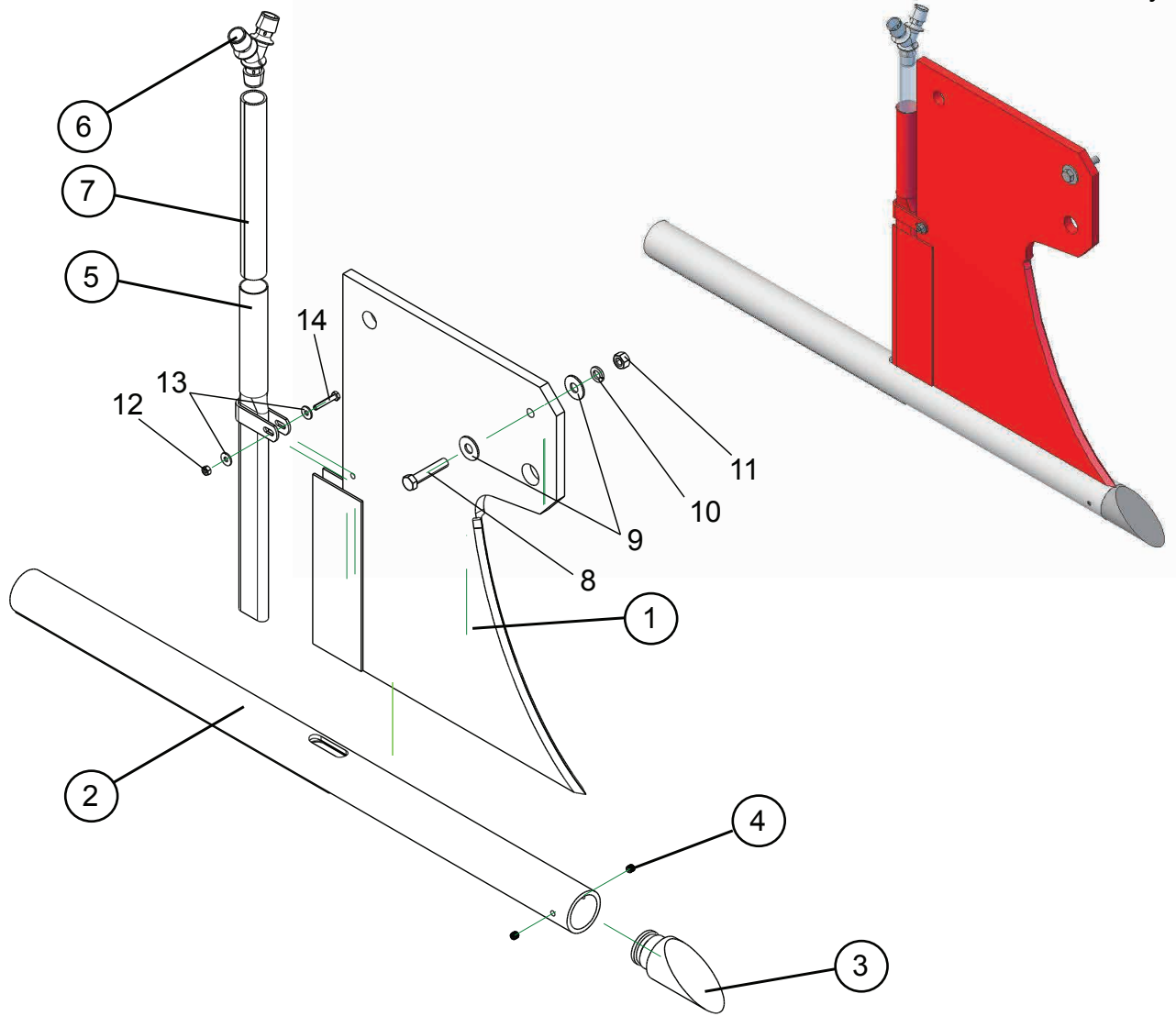


Assemblies

Ref #	Name	Page #
1	Knife Assembly	G2
2	Coulter Assembly	G3
3	Seeder Assembly	G4
4	Packer Wheel Assembly	G5
5	Frame Assembly	G6

Please Call Elston Manufacturing for information on purchasing gopher bait (poison).

Parts List for GA-800

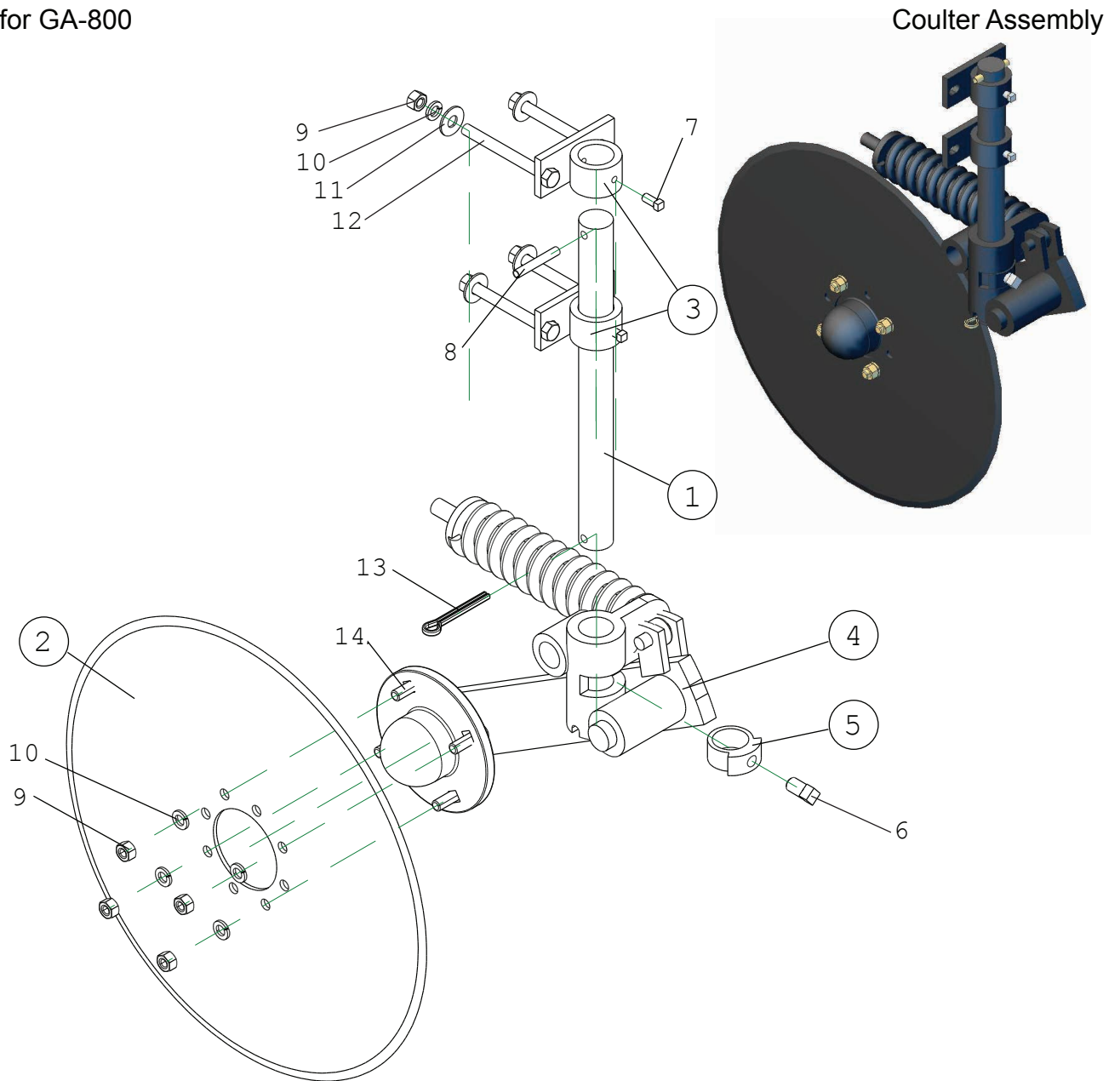


Ref #	Name	Part #	Ref #	Description
1	Knife - Elliptical Arc	G7-103	8	1/2"-13 x 2 1/2" Hex Head Bolt (Grade 5)*
2	Torpedo Tube	G7-102	9	1/2" Washer
3	Torpedo Point	G1-105	10	1/2" Lock Washer
4	3/8"-16 x 3/8" Set Screw	G1-143	11	1/2" Hex Nut
5	Seeder Tube	G9-201	12	1/4"-20 Prevailing Torque Lock Nut
6	Barbed Wye Connector	G7-423A	13	1/4" Washer
7	Plastic Hose	G4-122	14	1/4"-20 x 1 1/2" Hex Head Bolt
1-5, 12-14	Knife Assembly (complete)	G9-200		

* This bolt must be grade 5 (or softer). It is designed as a shear bolt to prevent damage when hitting underground obstructions. Using a harder bolt could result in expensive repairs.

All hardware listed is coarse thread (UNC) and Grade 5 or better unless otherwise noted.

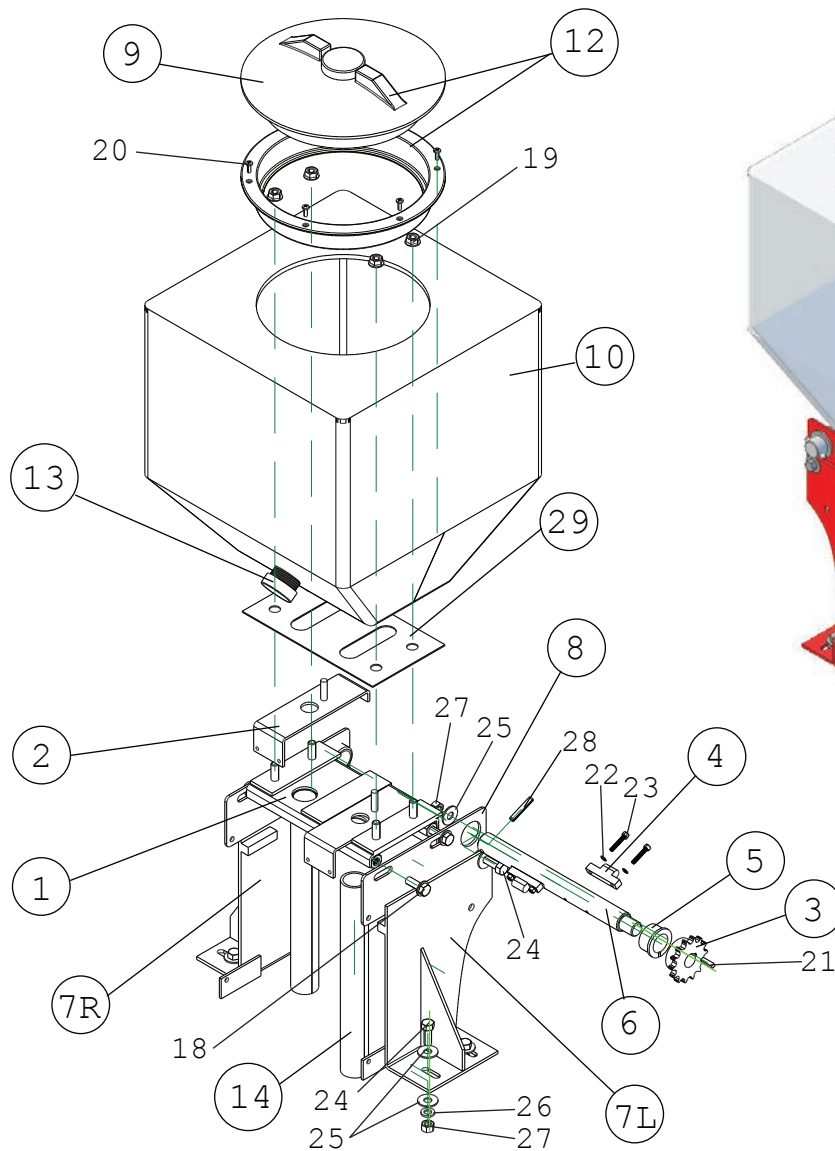
Parts List for GA-800



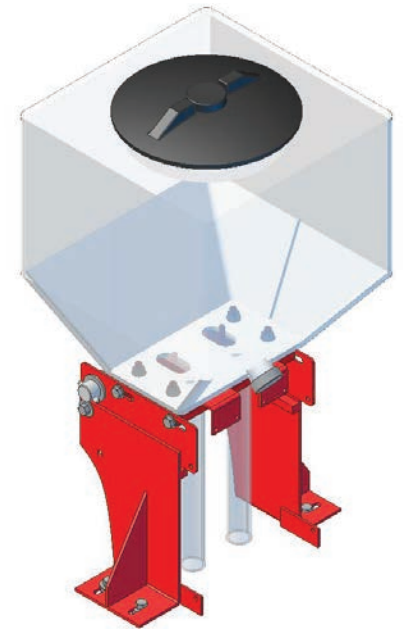
Ref #	Name	Part #	Ref #	Description
1	Coulter Shank	G9-301	6	5/8"-11 x 1" Square Hd Set Screw
2	Coulter Blade - 22"	G7-203	7	3/8"-16 x 3/4" Sq Hd Set Screw
3	Coulter Shank Clamp	G9-302	8	3/8" x 2 1/2" Roll Pin
4	Single Arm Coulter	G7-201	9	1/2"-13 Hex Nut
5	2975 Locking Collar	G7-201-19	10	1/2" Lock Washer
1-5, 6-14	Coulter Assembly	G9-300	11	1/2" Washer
			12	1/2"-13 x 6" Hex Head Bolt (Grade 8)
			13	5/16" x 2 1/2" Cotter Pin
			14	1/2"-13 x 1 1/4" Cage Bolt

All hardware listed is coarse thread (UNC) and Grade 5 or better unless otherwise noted.

Parts List for GA-800



Seeder Assembly



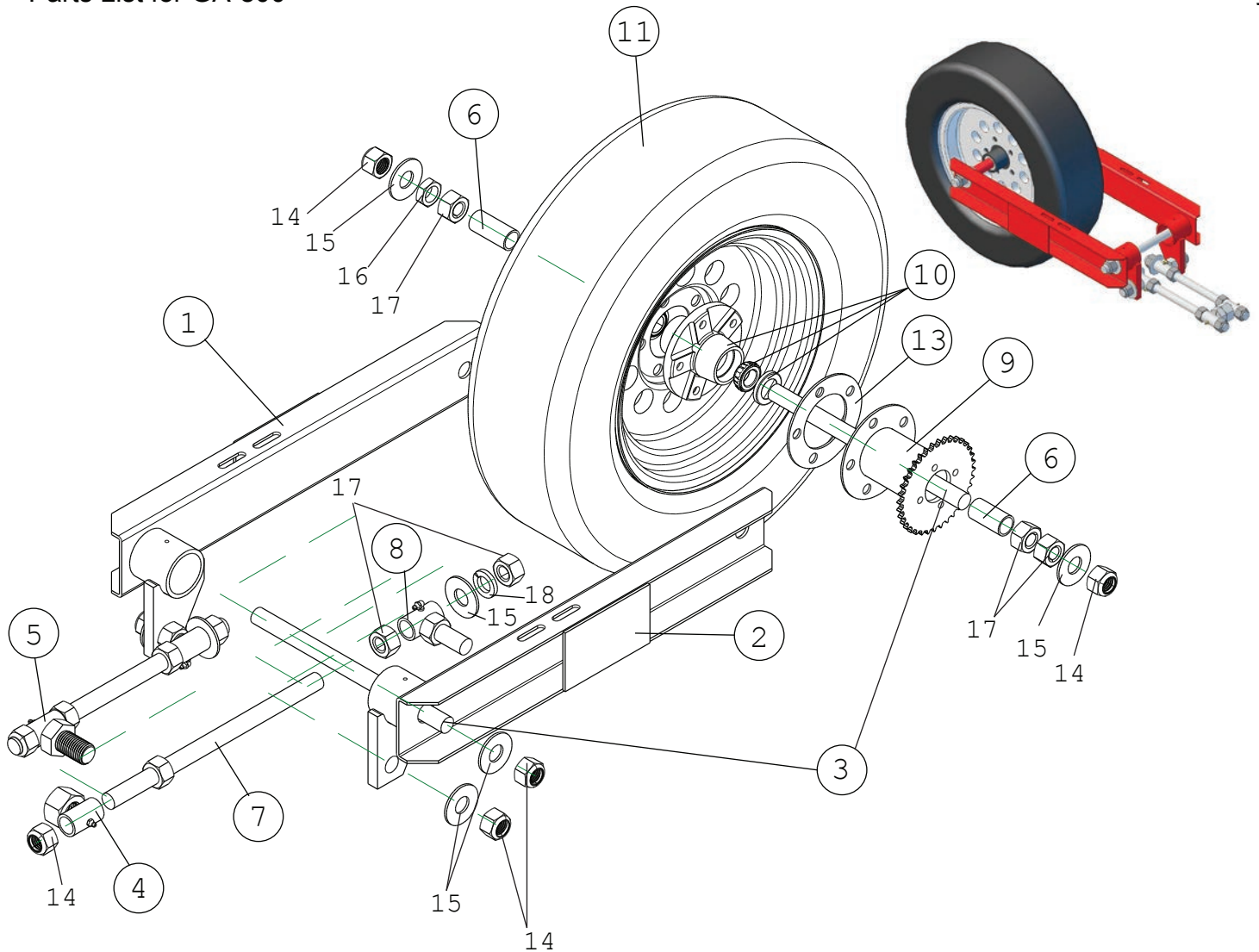
Ref #	Name	Part #
1	Seeder Base Assembly	G7-414A
2	Seeder Slide & Pin	G7-413
3	Drive Gear	G4-203
4	Tripper	G7-418
5	Axle Bushing	G3-324
6	Seeder Drive Axle	G7-419
7L	Seeder Mntg Bracket - Left	G7-417
7R	Seeder Mntg Bracket - Right	G7-417
8	Side Adjustment Plate	G7-416
9	Plastic Bait Box Lid	G4-234P
10,13	Plastic Bait Box	G7-434P
11	Lid Retaining Strap (Not Shown)	G4-233P
12	Plastic Bait Box Lid Assy	G4-231P
13	Drain Cap	G4-221P
14	Plastic Hose	G4-122
10-13,19,20	Plastic Bait Box Assembly	G7-435P
29	GA-700 Bait Spacer Plate	G7-408B

Ref #	Name	Part #
15	Seeder Box Spring (Not Shown)	G7-433
16	Seeder Slide Spring (Not Shown)	G7-429
17	Chain Guard (Not Shown)	G7-411
1-29	Seeder Assembly	G7-400

Ref #	Description
18	3/8"-16 x 1" Wislock Hex Bolt
19	3/8"-16 Wislock Hex Nut
20	#8 1/2" Sheet Metal Screw
21	9/16" of 3/16" Square Key Stock
22	#10 Internal Locking Washer
23	#10-24 1" Soc Hd Cap Screw (Use LocTite)
24	3/8"-16 x 1" Hex Head Bolt
25	3/8" Washer
26	3/8" Lock Washer
27	3/8"-16 Hex Nut
28	1/4" x 1 1/2" Slotted Spring Pin

Parts List for GA-800

Packer Wheel Assembly



Ref #	Name	Part #
1	Packer Wheel Swing Arm-Right	G9-401R
2	Packer Wheel Swing Arm-Left	G9-401L
3	Swing Arm & Packer Wheel Axle	G7-304
4	Lift Arm Connecting Nut Assy	G7-308
5	Lift Arm Connecting Bolt Assy	G7-309
6	Packer Wheel Hub Spacer	G7-310
7	Packer Wheel Adjustment Rod	G7-311
8	Lift Arm Link	G7-312
9	36 Tooth Sprocket Assembly	G7-314
10	Bearing & Hub Assembly	G7-317
11	Tire & Wheel Assembly	G7-318
12	Chain (Not Shown)	G7-321
13	Hub Spacer Flange	G7-438

Ref #	Description
14	1"-8 Nylock Hex Head Nut
15	1" Fender Washer
16	1"-8 Hex Jam Nut
17	1"-8 Hex Nut
18	1" Lock Washer

Ref #	Name	Part #
1-18	Packer Wheel Assembly	G9-400

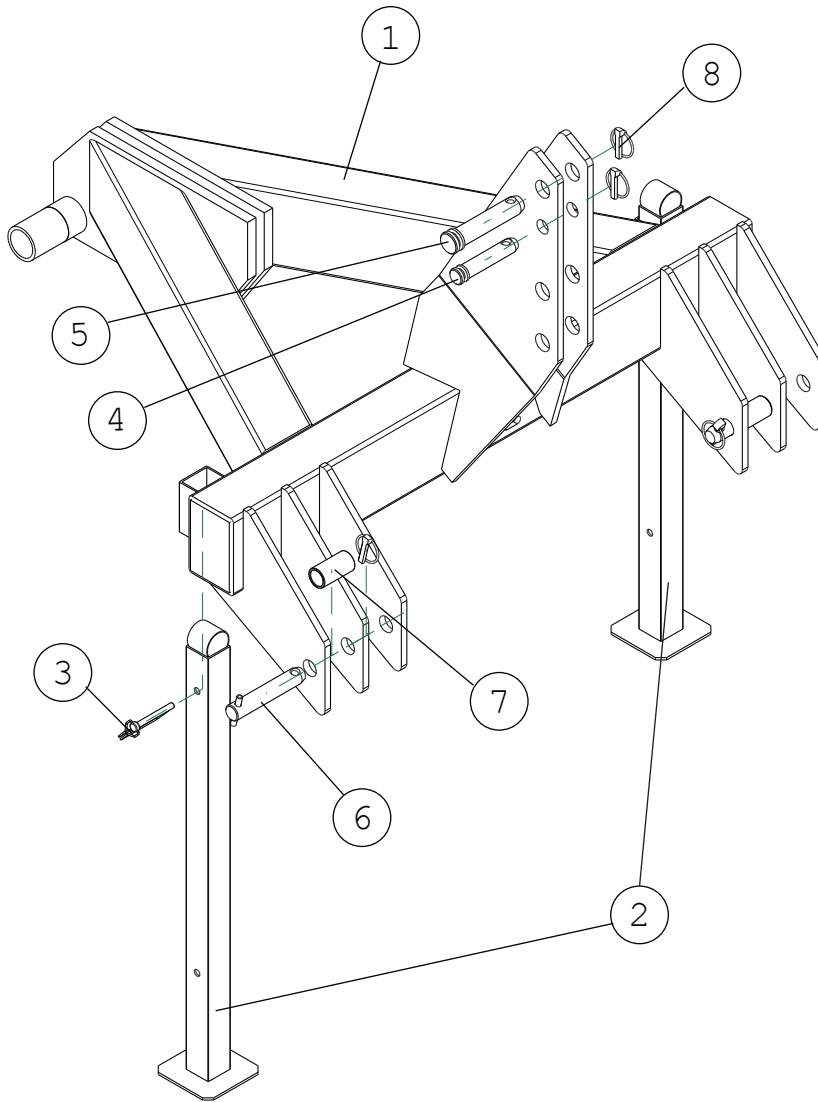
All hardware listed is coarse thread (UNC) and Grade 5 or better unless otherwise noted.

G5

*Not Available Separately

Parts List for GA-800

Frame Assembly - G9-100



Ref #	Name	Part #	Qty
1	Frame	G9-101	x1
2	Leg Stand	G9-102	x2
3	Snap In Pin for Legs	G7-526	x2
4	CAT 2 Top Link	G8-505	x1
5	CAT 3 Top Link	G8-506	x1
6	CAT 2 Lift Pin	G8-507	x2
7	CAT 2 to CAT 3 Lift Pin Adaptor	G8-508	x2
8	Lynch Pins	G8-509	x4



ELSTON MANUFACTURING INC.

706 N. Weber Ave. **1-800-845-1385**

Sioux Falls, SD 57103

www.elstonmfg.com